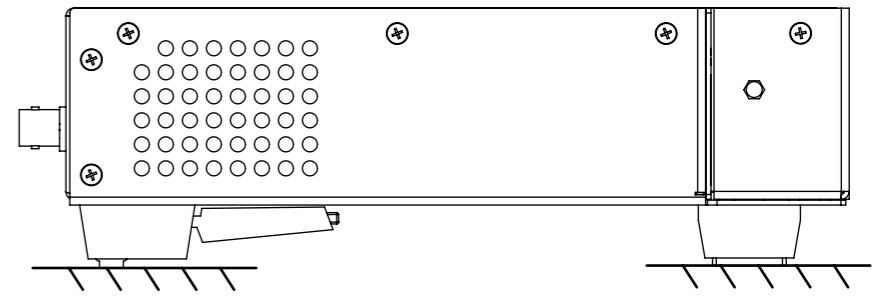
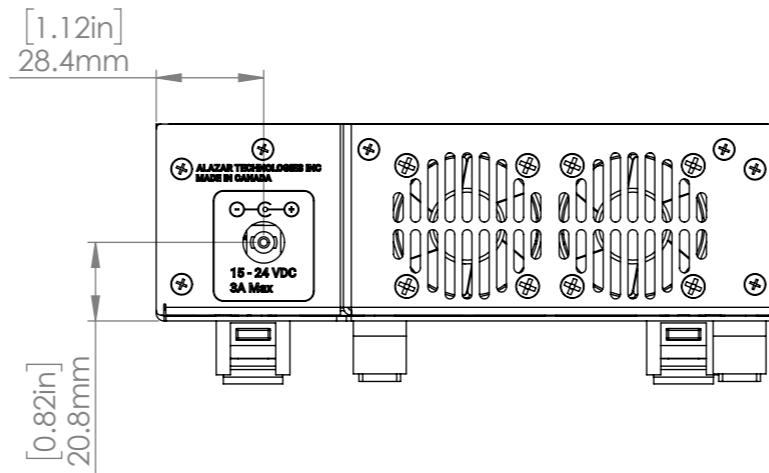
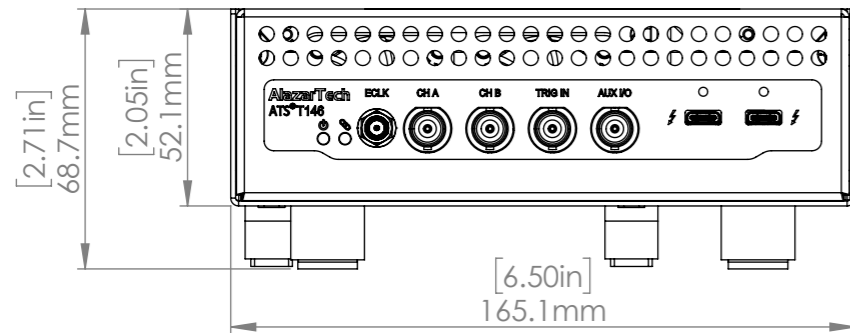


UNFOLDED FEET



FOLDED FEET



THIS DRAWING APPLIES TO THE FOLLOWING PRODUCTS:

PRODUCT	ORDER NO.	HARDWARE VERSION
ATST146	ATST146-001	1.2, 1.3, 1.4

IMPORTANT NOTE

-ALAZAR TECHNOLOGIES INC. CONFIDENTIAL INFORMATION.
 -REPRODUCTION IS STRICTLY PROHIBITED.
 -ALL INTELLECTUAL PROPERTY BELONGS TO ALAZAR TECHNOLOGIES INC.

ALAZAR TECHNOLOGIES INC.

TITLE:
ATST146 DIMENSIONAL DRAWING

DWG NO.
DWG-T146-002

SCALE: N.T.S. SHEET 1 OF 1

**ISO 9001:2015
 CERTIFIED**

	NAME	SIGNATURE	DATE
DRAWN	E.POPA		2022-02-23
CHK'D	S. LUK		2022-02-23
APPV'D	A. JAGGERS		2022-02-23

NOTE: Minor changes not affecting the overall size may or may not be reflected in this drawing.